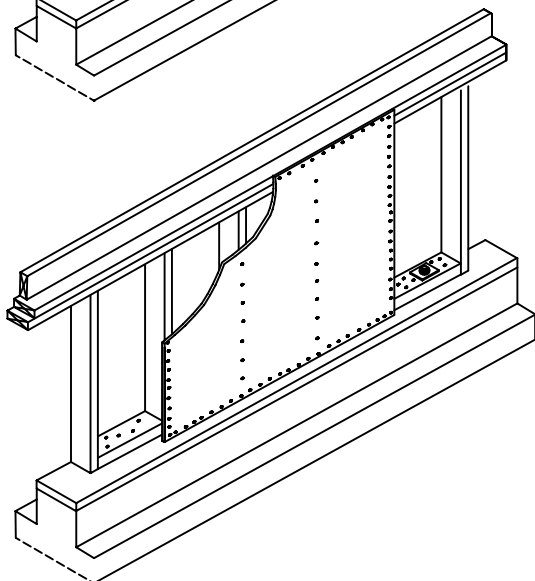


2"x4" blocks are nailed into the mudsill between studs.

Nails split the blocks if placed within 2 inches of the ends.

Bolts penetrate through blocks and mudsill.



Plywood is then nailed into the blocks and this attaches the plywood to the the mudsill.