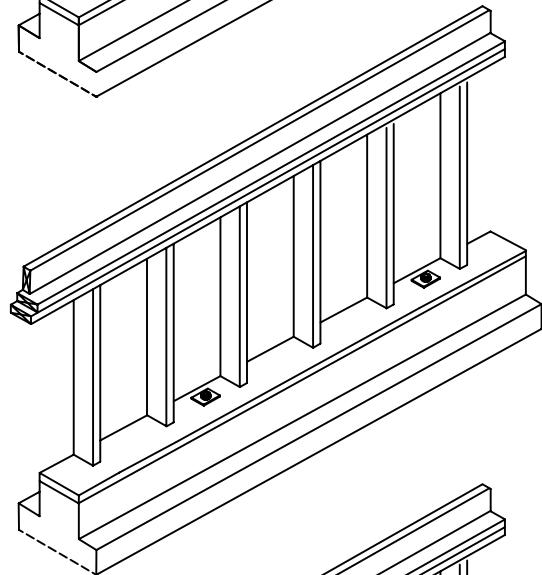
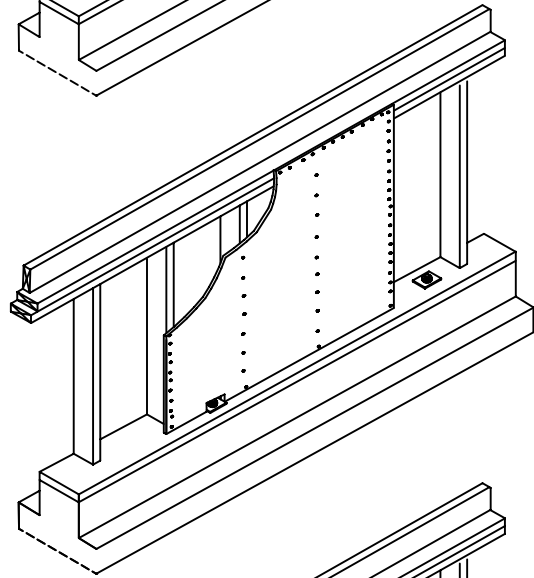


Construction problem

2"x4" studs are toenailed into 2"x6" or 2"x8" mudsill.

Plywood can be nailed or stapled to studs and topplate, but not to mudsill.



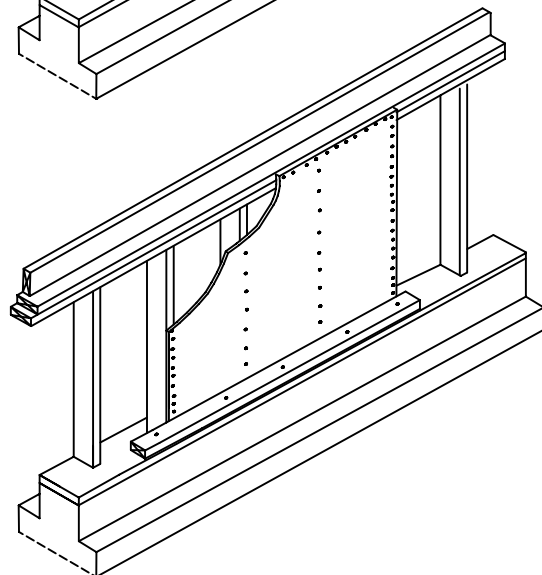

Reverse-block solution

Plywood is edge nailed to a new 2 x 4 block with 8d commons 3" o.c. staggered.

Block is then face nailed into mudsill with 12d commons 3" o.c. staggered.

Plywood is edge nailed 3" o.c. and field-nailed 12" o.c. with 8d commons

This can only be done when distance from face of mudsill to stud is 2" or greater

Bay Area Retrofit
Howard Cook, Contractor
(510) 235-2300

Sill Connection-Four panel reverse blocking