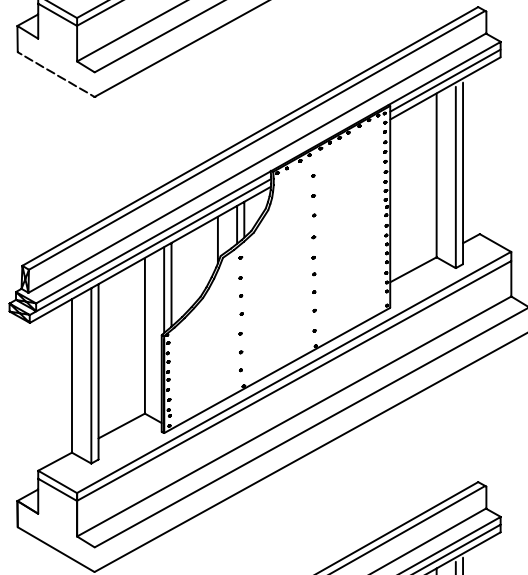
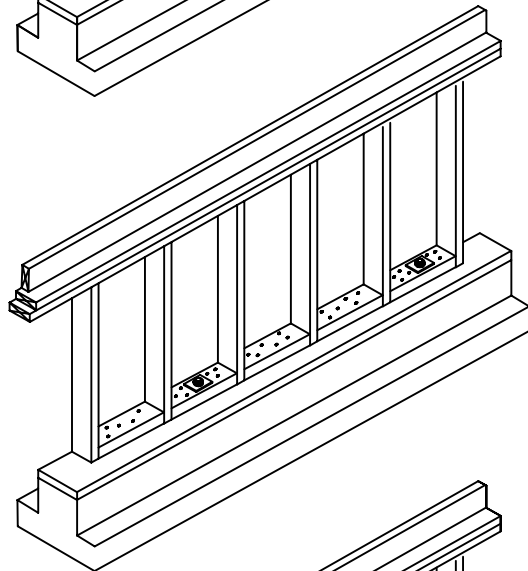


In standard construction 2"x4" studs are toenailed into 2"x6" or 2"x8" mudsill.



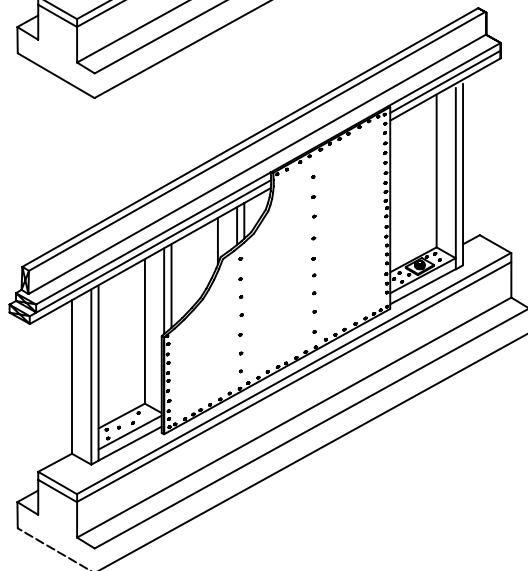
Plywood can be nailed to the studs and the top-plate.

Plywood cannot be nailed to the mudsill.



2"x4" blocks are stapled to the mudsill between studs.

Bolts penetrate through blocks AND mudsill.



Plywood is then stapled to the blocks. This attaches the plywood to to the bolted mudsill.