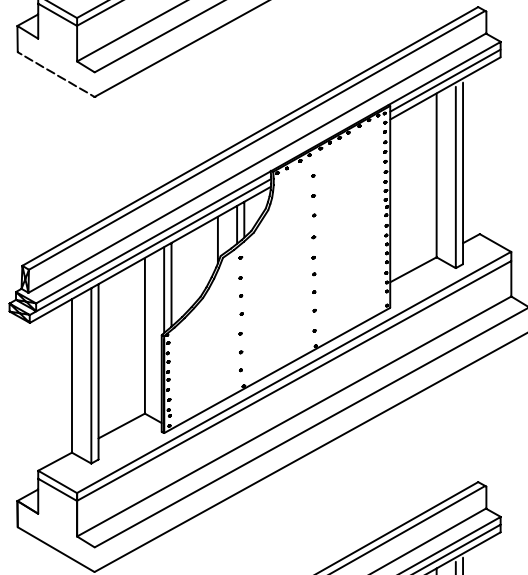
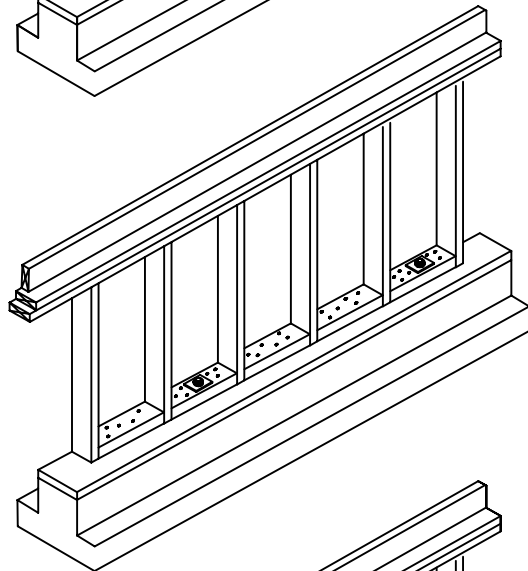


In standard construction 2"x4" studs are toenailed into 2"x6" or 2"x8" mudsill.



Plywood shear panel is nailed into to studs and the top-plate.

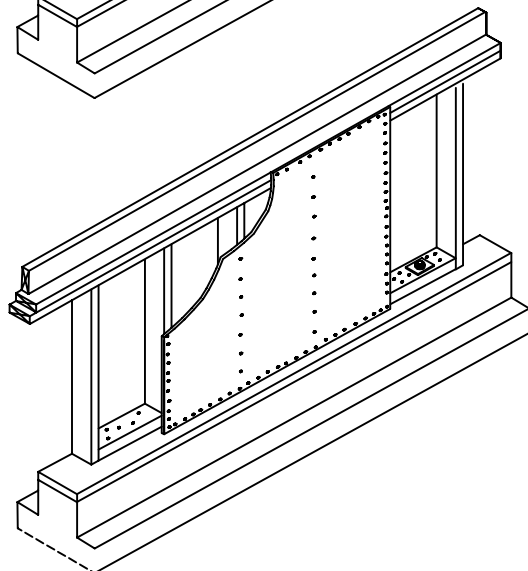
Plywood cannot be nailed or attached to the mudsill.



2"x4" blocks are nailed into the mudsill between studs.

Nails may split the blocks if placed too close to the ends or blocking is dry and brittle

Bolts penetrate through blocks and mudsill.



Plywood shear panel is then nailed into the blocks and this attaches the plywood shear to the the mudsill.