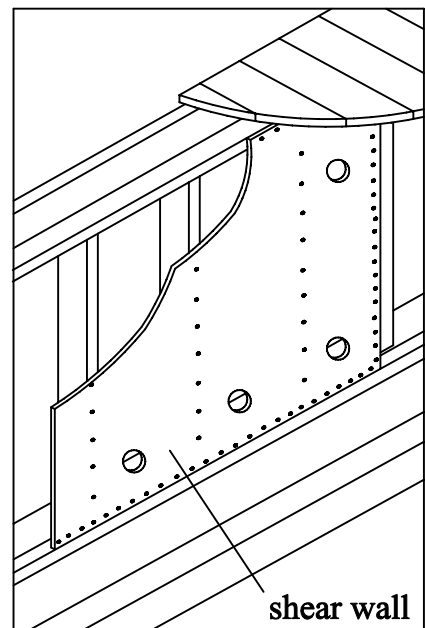
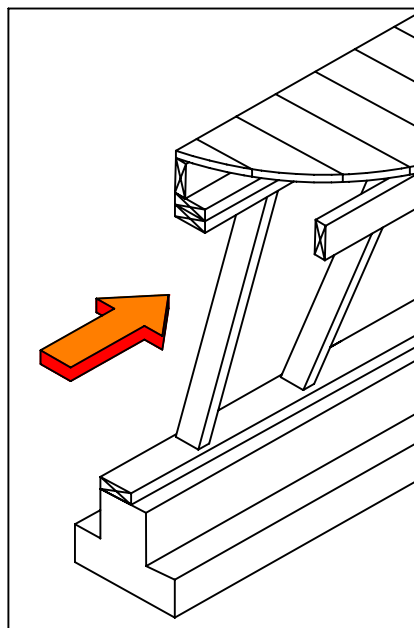
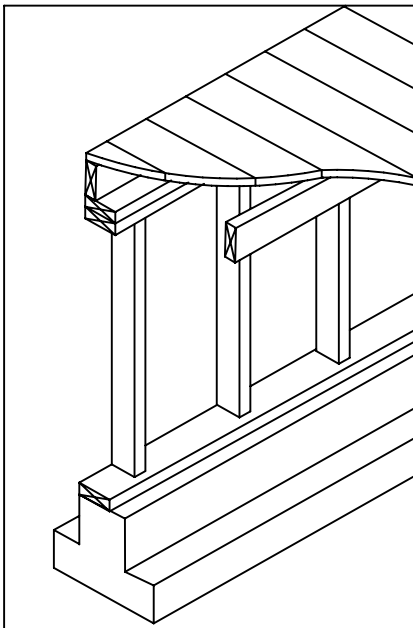
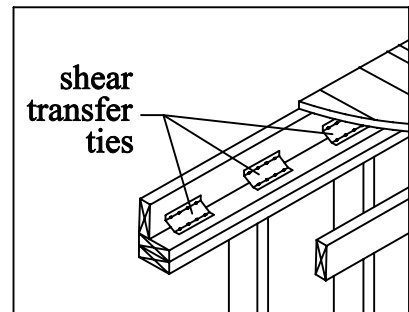
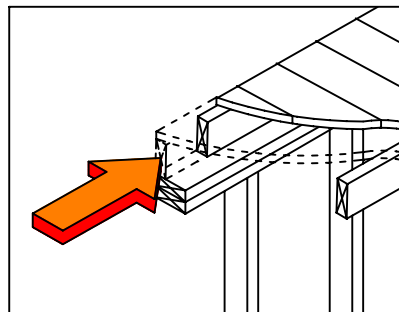
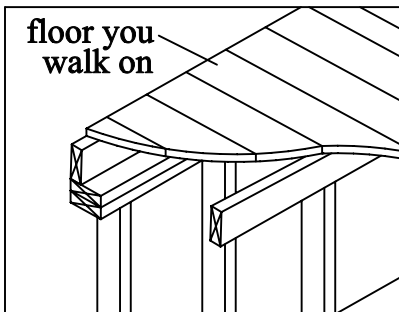


Movement prevented by bolts.



Movement prevented by plywood shear panels.



Movement prevented by shear transfer ties.