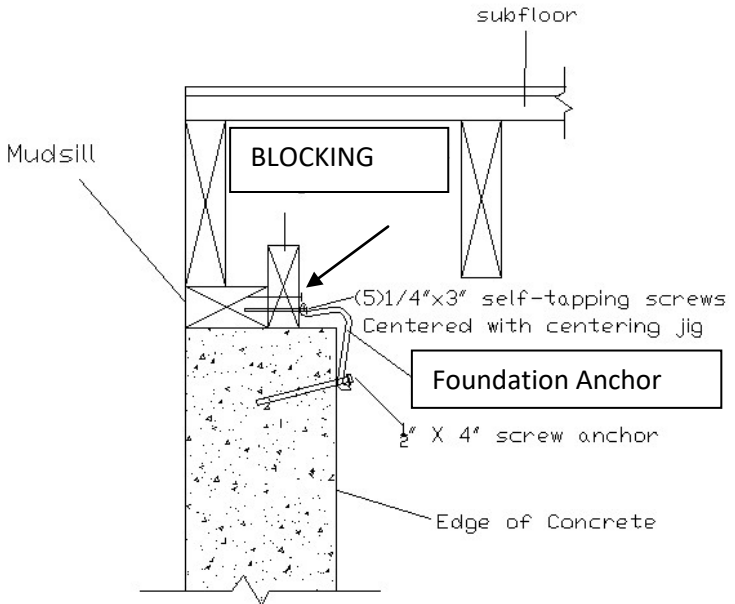


This image is from the Foundation Anchor's manufacturer's installation instruction. Notice how the distance from the edge of the concrete to the edge of the mudsill cannot exceed 2 1/2.



Bolting of floor to foundation when gap between edge of concrete and edge of mudsill exceeds 2-1/2"

The way this is solved is by put a 2 x 4 block between the edge of the concrete and the mudsill