

ICC-ES Evaluation Report

ESR-2302

Reissued December 1, 2013

This report is subject to renewal December 1, 2015.

www.icc-es.org | (800) 423-6587 | (562) 699-0543

A Subsidiary of the International Code Council®

DIVISION: 03 00 00—CONCRETE
Section: 03 16 00—Concrete Anchors

DIVISION: 05 00 00—METALS
Section: 05 05 19—Post-Installed Concrete Anchors

REPORT HOLDER:

HILTI, INC.
 5400 SOUTH 122ND EAST AVENUE
 TULSA, OKLAHOMA 74146
 (800) 879-8000
www.us.hilti.com
HiltiTechEng@us.hilti.com

EVALUATION SUBJECT:
HILTI KWIK BOLT 3 (KB3) CONCRETE ANCHORS
1.0 EVALUATION SCOPE
Compliance with the following codes:

- 2012, 2009, 2006 and 2003 *International Building Code*® (IBC)
- 2012, 2009, 2006 and 2003 *International Residential Code*® (IRC)

Property evaluated:

Structural

2.0 USES

The Hilti Kwik Bolt 3 Concrete Anchor (KB3) is used to resist static, wind and earthquake (Seismic Design Categories A and B only) tension and shear loads in uncracked normal-weight concrete and uncracked sand-lightweight concrete having a specified compressive strength, f'_c , of 2,500 psi to 8,500 psi (17.2 MPa to 58.6 MPa).

The anchoring system complies with anchors as described in Section 1909 of the 2012 IBC, Section 1912 of the 2009 and 2006 IBC and Section 1913 of the 2003 IBC, and is an alternative to cast-in-place anchors described in Section 1908 of the 2012 IBC, Section 1911 of the 2009 and 2006 IBC, and Section 1912 of the 2003 IBC. The anchors may also be used where an engineered design is submitted in accordance with Section R301.1.3 of the IRC.

3.0 DESCRIPTION
3.1 KB3 Anchors:

The KB3 anchors are torque-controlled, mechanical expansion anchors. KB3 anchors consist of a stud (anchor body), expansion element (wedge), nut, and washer. The stud is manufactured from medium carbon steel complying

with the manufacturer's quality documentation, or AISI Type 304 or 316 stainless steel materials.

The carbon steel anchors are available in diameters of $1/4$ inch through $3/4$ inch (6.4 mm through 19.1 mm) and an example is illustrated in Figure 1 of this report. Carbon steel KB3 anchors and components have a minimum 5-micrometer (0.0002 inch) zinc plating. The expansion elements (wedges) for the carbon steel anchors are made from carbon steel, except all $1/4$ -inch (6.4 mm) anchors and the $3/4$ -inch-by-12-inch (19.1 mm by 305 mm) anchor have expansion elements made from AISI Type 316 stainless steel.

The $1/2$ -, $5/8$ -, and $3/4$ -inch-diameter (12.7 mm, 15.9 mm, and 19.1 mm) carbon steel KB3 anchors are also available with a hot-dip galvanized coating. The $1/2$ - and $3/4$ -inch-diameter (12.7 mm and 19.1 mm) anchors with hot-dip galvanized coating comply with ASTM A153. All hot-dip galvanized anchors use stainless steel expansion elements (wedges).

The stainless steel KB3 anchors are available in diameters of $1/4$ inch through 1 inch (6.4 mm through 25.4 mm) and have an anchor body in conformance with AISI Type 304 or 316. The expansion elements (wedges) of the AISI Type 304 anchors are in conformance with AISI Types 304 or 316 stainless steel. The expansion elements (wedges) of the AISI Type 316 anchors are in conformance with AISI Type 316 stainless steel.

The anchor body is comprised of a rod threaded at one end and with a tapered mandrel at the other end. The tapered mandrel is enclosed by a three-section expansion element which freely moves around the mandrel. The expansion element movement is restrained by the mandrel taper and by a collar. The anchor is installed in a predrilled hole with a hammer. When torque is applied to the nut of the installed anchor, the mandrel is drawn into the expansion element, which engages the wall of the drilled hole. Installation information and dimensions are set forth in Section 4.3 and Table 1 of this report.

3.2 Concrete:

Normal-weight concrete and sand-lightweight concrete must comply with Section 1903 and 1905 of the IBC.

4.0 DESIGN AND INSTALLATION
4.1 Strength Design:

4.1.1 General: Design strength of anchors complying with the 2012 and 2003 IBC, and the 2012 and 2003 IRC must be determined in accordance with ACI 318-11 Appendix D and this report.

Design strength of anchors complying with the 2009 IBC and 2009 IRC must be in accordance with ACI 318-08 Appendix D and this report.

Design strength of anchors complying with the 2006 IBC and 2006 IRC must be in accordance with ACI 318-05 Appendix D and this report.

Design parameters and nomenclature provided in Tables 3, 4 and 5 of this report are based on the 2012 IBC (ACI 318-11), unless noted otherwise in Sections 4.1.1 through 4.1.11 of this report.

The strength design of anchors must comply with the requirements in ACI 318 D.4.1.1 and D.4.1.2. Strength reduction factors ϕ as given in ACI 318-11 D.4.3 must be used for load combinations calculated in accordance with Section 1605.2 of the IBC and Section 9.2 of ACI 318. Strength reduction factors ϕ as given in ACI 318-11 D.4.4 must be used for load combinations calculated in accordance with Appendix C of ACI 318. An example calculation in accordance with the 2012 IBC is provided in Figure 5. The value of f'_c used in calculations must be limited to a maximum of 8,000 psi (55.2 MPa), in accordance with ACI 318-11 D.3.7.

4.1.2 Requirements for Static Steel Strength in Tension, N_{sa} : The nominal static steel strength of a single anchor in tension, N_{sa} , must be calculated in accordance with ACI 318 D.5.1.2. The resulting values of N_{sa} are described in Tables 3, 4 and 5 of this report. Strength reduction factors ϕ corresponding to ductile steel elements are appropriate for stainless steel and carbon steel elements.

4.1.3 Requirements for Static Concrete Breakout Strength in Tension, N_{cb} or N_{cbg} : The nominal static concrete breakout strength of a single anchor or group of anchors in tension, N_{cb} or N_{cbg} , respectively must be calculated in accordance with ACI 318 D.5.2, with modifications as described in this section. The values of f'_c must be limited to 8,000 psi (55.2 MPa) in accordance with ACI 318-11 D.3.7. The nominal concrete breakout strength in tension in regions of concrete where analysis indicates no cracking at service loads, must be calculated in accordance with ACI 318 D.5.2.6 with $\psi_{c,N} = 1.0$. The basic concrete breakout strength of a single anchor in tension, N_b , must be calculated in accordance with ACI 318 D.5.2.2 using the values of h_{ef} and k_{uncr} as given in Tables 3, 4, and 5 in lieu of h_{ef} and k_c , respectively.

4.1.4 Requirements for Static Pullout Strength in Tension, N_p : The nominal static pullout strength, $N_{p,uncr}$ of a single anchor installed in uncracked concrete (regions where analysis indicates no cracking in accordance with ACI 318 D.5.3.6), where applicable, is given in Tables 3, 4 and 5 of this report. The nominal pullout strength in tension may be adjusted for concrete compressive strengths other than 2,500 psi according to the following equation:

$$N_{p,f_c} = N_{p,uncr} \sqrt{\frac{f'_c}{2,500}} \quad (\text{lb, psi}) \quad (\text{Eq-1})$$

$$N_{p,f_c} = N_{p,uncr} \sqrt{\frac{f'_c}{17.2}} \quad (\text{N, MPa})$$

Where values for $N_{p,uncr}$ are not provided in Table 3, 4, or 5 of this report, the pullout strength in tension need not be evaluated.

4.1.5 Requirements for Static Steel Strength in Shear, V_{sa} : In lieu of the value of V_{sa} as given in ACI 318 D.6.1.2, the nominal static steel strength in shear of a single anchor given in Tables 3, 4 and 5 of this report must be used.

Strength reduction factors ϕ corresponding to ductile steel elements are appropriate for stainless steel and carbon steel elements.

4.1.6 Requirements for Static Concrete Breakout Strength in Shear, V_{cb} or V_{cbg} : The nominal static concrete breakout strength of a single anchor or group of anchors, V_{cb} or V_{cbg} , respectively must be calculated in accordance with ACI 318 D.6.2, based on the values provided in Tables 3 through 5 of this report. The basic concrete breakout strength of a single anchor in uncracked concrete, V_b , must be calculated in accordance with ACI 318 D.6.2.2 using the values given in Tables 3, 4 and 5. The value of l_e used in ACI 318 D.6.2.2, must be no greater than the lesser of h_{ef} or $8d_a$.

4.1.7 Requirements for Static Concrete Pryout Strength in Shear, V_{cp} or V_{cpg} : The nominal static concrete pryout strength of a single anchor or group of anchors, V_{cp} or V_{cpg} , respectively must be calculated in accordance with ACI 318 D.6.3 based on the values given in Tables 3, 4 and 5 of this report; the value of N_{cb} or N_{cbg} is as calculated in Section 4.1.3 of this report.

4.1.8 Requirements for Interaction of Tensile and Shear Forces: For anchors or groups of anchors that are subject to the effects of combined tensile and shear forces, the design must be determined in accordance with ACI 318 D.7.

4.1.9 Requirements for Critical Edge Distance: In applications where $c < c_{ac}$ and supplemental reinforcement to control splitting of the concrete is not present, the concrete breakout strength in tension for uncracked concrete, calculated according to ACI 318 D.5.2, must be further multiplied by the factor $\psi_{cp,N}$ given by the following equation:

$$\psi_{cp,N} = \frac{c}{c_{ac}} \quad (\text{Eq-2})$$

where the factor $\psi_{cp,N}$ need not be taken as less than $\frac{1.5h_{ef}}{c_{ac}}$. For all other cases, $\psi_{cp,N} = 1.0$. In lieu of ACI 318 D.8.6, values of c_{ac} provided in Table 1 of this report must be used.

4.1.10 Requirements for Minimum Member Thickness, Minimum Anchor Spacing and Minimum Edge Distance: In lieu of ACI 318 D.8.1 and D.8.3, values of s_{min} and c_{min} as given in Tables 3, 4 and 5 of this report must be used. In lieu of ACI 318 D.8.5, minimum member thicknesses h_{min} as given in Tables 3, 4 and 5 of this report must be used. Additional combinations for minimum edge distance c_{min} and spacing s_{min} may be derived by linear interpolation between the given boundary values. (See Figure 3.)

4.1.11 Sand-lightweight Concrete: For ACI 318-11 and ACI 318-08, when anchors are used in sand-lightweight concrete, the modification factor λ_a or λ , respectively, for concrete breakout strength must be taken as 0.6. In addition, the pullout strength $N_{p,uncr}$ must be multiplied by 0.6, in lieu of ACI 318 Section D.3.6 (2012 IBC) or ACI 318 Section D.3.4 (2009 IBC).

For ACI 318-05, when anchors are used in sand-lightweight concrete, N_b , $N_{p,uncr}$, V_b and V_{cp} must be multiplied by 0.60, in lieu of ACI 318 D.3.4.

4.2 Allowable Stress Design:

4.2.1 Design values for use with allowable stress design load combinations calculated in accordance with Section 1605.3 of the IBC, must be established using the equations below:

$$T_{allowable,ASD} = \frac{\phi N_n}{\alpha} \quad (\text{Eq-3})$$

$$V_{allowable,ASD} = \frac{\phi V_n}{\alpha} \quad (\text{Eq-4})$$

where:

$T_{allowable,ASD}$ = Allowable tension load (lbf or kN).

$V_{allowable,ASD}$ = Allowable shear load (lbf or kN).

ϕN_n = Lowest design strength of an anchor or anchor group in tension as determined in accordance with ACI 318 D.4.1, and 2009 IBC Section 1908.1.9 or 2006 IBC Section 1908.1.16, as applicable (lbf or N).

ϕV_n = Lowest design strength of an anchor or anchor group in shear as determined in accordance with ACI 318 D.4.1, and 2009 IBC Section 1908.1.9 or 2006 IBC Section 1908.1.16, as applicable (lbf or N).

α = Conversion factor calculated as a weighted average of the load factors for the controlling load combination. In addition, α must include all applicable factors to account for nonductile failure modes and required over-strength.

The requirements for member thickness, edge distance and spacing, described in this report, must apply. An example of allowable stress design values for illustrative purposes is shown in Table 6.

4.2.2 Interaction of Tensile and Shear Forces: The interaction of tension and shear loads must be consistent with ACI 318 D.7 as follows:

For shear loads $V_{applied} \leq 0.2V_{allowable,ASD}$, the full allowable load in tension $T_{allowable,ASD}$ may be used.

For tension loads $T_{applied} \leq 0.2T_{allowable,ASD}$, the full allowable load in shear $V_{allowable,ASD}$ may be used.

For all other cases:

$$\frac{T_{applied}}{T_{allowable,ASD}} + \frac{V_{applied}}{V_{allowable,ASD}} \leq 1.2 \quad (\text{Eq-5})$$

4.3 Installation:

Installation parameters are provided in Table 1 and Figure 2. Anchor locations must comply with this report and the plans and specifications approved by the code official. Anchors must be installed in accordance with the manufacturer's published installation instructions and this report. In case of conflict, this report governs. Embedment, spacing, edge distance, and concrete thickness are provided in Tables 3, 4 and 5 of this report. Holes must be drilled using carbide-tipped masonry drill bits complying with ANSI B212.15-1994. The nominal drill bit diameter must be equal to that of the anchor. Prior to installation, dust and debris must be removed from the drilled hole to enable installation to the stated embedment depth. The anchor must be hammered into the predrilled hole until at least four threads are below the fixture surface. The nut must be tightened against the washer until the torque value, T_{inst} , specified in Table 1 is achieved.

4.4 Special Inspection:

Periodic special inspection is required in accordance with Section 1705.1.1 of the 2012 IBC, Section 1704.15 of the 2009 IBC or Section 1704.13 of the 2006 or 2003 IBC. The special inspector must make periodic inspections during

anchor installation to verify anchor type, anchor dimensions, concrete type, concrete compressive strength, drill bit type, hole dimensions, hole cleaning procedure, concrete member thickness, anchor embedment, anchor spacing, edge distances, anchor embedment, tightening torque and adherence to the manufacturer's printed installation instructions. The special inspector must be present as often as required in accordance with the "statement of special inspection." Under the IBC, additional requirements as set forth in Sections 1705, 1706 and 1707 must be observed, where applicable.

5.0 CONDITIONS OF USE

The Hilti Kwik Bolt 3 (KB3) anchors described in this report comply with, or are suitable alternatives to what is specified in, those codes listed in Section 1.0 of this report, subject to the following conditions:

- 5.1 KB3 anchor sizes, dimensions, minimum embedment depths, and other installation parameters are as set forth in this report.
- 5.2 The KB3 anchors must be installed in accordance with the manufacturer's (Hilti) published instructions and this report in uncracked normal-weight concrete and uncracked sand-lightweight concrete having a specified compressive strength $f'_c = 2,500$ psi to 8,500 psi (17.2 MPa to 58.6 MPa). In case of conflict between the manufacturer's instructions and this report, this report governs.
- 5.3 The values of f'_c used for calculation purposes must not exceed 8,000 psi (55.2 MPa).
- 5.4 Strength design values are established in accordance with Section 4.1 of this report.
- 5.5 Allowable stress design values are established in accordance with Section 4.2 of this report.
- 5.6 Anchor spacing, edge distance and minimum member thickness must comply with Tables 3, 4 and 5 of this report.
- 5.7 Prior to installation, calculations and details demonstrating compliance with this report must be submitted to the code official for approval. The calculations and details must be prepared by a registered design professional where required by the statutes of the jurisdiction in which the project is to be constructed.
- 5.8 Since an ICC-ES acceptance criteria for evaluating data to determine the performance of expansion anchors subjected to fatigue or shock loading is unavailable at this time, the use of these anchors under such conditions is beyond the scope of this report.
- 5.9 Use of carbon steel anchors and hot-dipped $\frac{5}{8}$ -inch (15.9 mm) galvanized KB3 anchors is limited to dry, interior locations.
- 5.10 Use of KB3 anchors in structures assigned to Seismic Design Category C, D, E or F (IBC) is beyond the scope of this report. Anchors may be used to resist short-term loading due to wind forces, subject to the conditions of this report.
- 5.11 Special inspection must be provided in accordance with Section 4.4 of this report.
- 5.12 Where not otherwise prohibited in the code, KB3 anchors are permitted for use with fire-resistance-rated construction provided that at least one of the following conditions is fulfilled:

- Anchors are used to resist wind forces only.
- Anchors that support fire-resistance-rated construction or gravity load bearing structural elements are within a fire-resistance-rated envelope or a fire-resistance-rated membrane, are protected by approved fire-resistance-rated materials, or have been evaluated for resistance to fire exposure in accordance with recognized standards.
- Anchors are used to support nonstructural elements.

5.13 The anchors are manufactured by Hilti AG with quality control inspections by UL LLC (AA-668).

6.0 EVIDENCE SUBMITTED

Data in accordance with the ICC-ES Acceptance Criteria for Mechanical Anchors in Concrete Elements (AC193), dated March 2012; and quality control documentation.

7.0 IDENTIFICATION

The concrete anchors are identified in the field by their dimensional characteristics, size, and the length code stamped on the anchor, as indicated in Table 2. Packages are identified with the manufacturer's name (Hilti, Inc.) and address, anchor name, anchor size, evaluation report number (ESR-2302), and the name of the inspection agency (UL LLC).

TABLE 1—INSTALLATION INFORMATION

| Setting Information | Symbol | | Nominal anchor diameter | | | | | | | | | |
|----------------------------------|------------|---------------|-------------------------|----------------|-----------------|---------------|------------------|----------------|------------------|----------------|-----------------|----------------|
| | | | 1/4 | 3/8 | 1/2 | | 5/8 | | 3/4 | | 1 | |
| Anchor O.D. | d_o | in. (mm) | 0.250 (6.4) | 0.375 (9.5) | 0.500 (12.7) | | 0.625 (15.9) | | 0.750 (19.1) | | 1.000 (25.4) | |
| ANSI drill bit dia | d_{bit} | in. (mm) | 1/4 (6.4) | 3/8 (9.5) | 1/2 (12.7) | | 5/8 (15.9) | | 3/4 (19.1) | | 1 (25.4) | |
| Effective min. embedment | h_{ef} | in. (mm) | 1 1/2 (38) | 2 (51) | 2 (51) | 3 1/4 (83) | 3 1/8 (79) | 4 (102) | 3 3/4 (95) | 5 (127) | 4 (102) | 5 3/4 (146) |
| Min. hole depth | h_{hole} | in. (mm) | 2 (51) | 2 5/8 (67) | 2 5/8 (67) | 4 (102) | 3 7/8 (98) | 4 3/4 (121) | 4 1/2 (114) | 5 3/4 (146) | 5 (127) | 6 3/4 (171) |
| Installation torque | T_{inst} | ft-lb (Nm) | 4 (5) | 20 (27) | 40 (54) | | 60 (81) | | 110 (149) | | 150 (203) | |
| Expansion element clearance hole | d_h | in. (mm) | 5/16 (7.9) | 7/16 (11.1) | 9/16 (14.3) | | 1 1/16 (17.5) | | 1 3/16 (20.6) | | 1 1/8 (28.6) | |

TABLE 2—LENGTH IDENTIFICATION SYSTEM

| Length marking on the bolt head | | A | B | C | D | E | F | G | H | I | J | K | L | M | N | O | P | Q | R | S |
|---------------------------------|-------------------------|-------|-------|-------|-------|-------|-------|-------|-------|-------|-------|-------|-------|-------|-------|-------|-------|-------|----|----|
| Length of anchor (in.) | From | 1 1/2 | 2 | 2 1/2 | 3 | 3 1/2 | 4 | 4 1/2 | 5 | 5 1/2 | 6 | 6 1/2 | 7 | 7 1/2 | 8 | 8 1/2 | 9 | 9 1/2 | 10 | 11 |
| | Up to but not including | 2 | 2 1/2 | 3 | 3 1/2 | 4 | 4 1/2 | 5 | 5 1/2 | 6 | 6 1/2 | 7 | 7 1/2 | 8 | 8 1/2 | 9 | 9 1/2 | 10 | 11 | 12 |

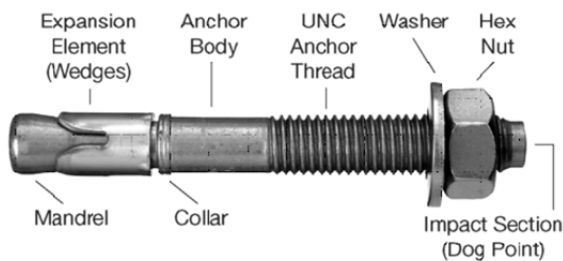


FIGURE 1—HILTI CARBON STEEL KWIK BOLT 3 (KB3)

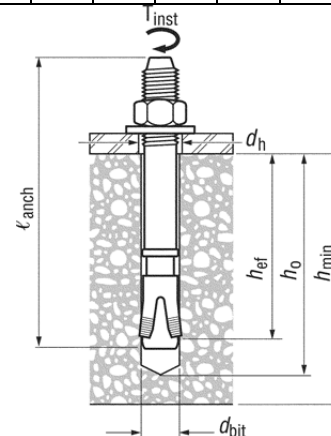


FIGURE 2—KB3 INSTALLED

TABLE 3—DESIGN INFORMATION CARBON STEEL KB3

| DESIGN INFORMATION | Symbol | Units | Nominal anchor diameter | | | | | | | | | | | | |
|--|----------------|---------------------------------------|-------------------------------------|--------------------------------------|-------------------------------------|--------------------------------------|--------------------------------------|--------------------------------------|--------------------------------------|--------------------------------------|--|--------------------------------------|--|--------------------------------------|--------------------------------------|
| | | | ¹ / ₄ | ³ / ₈ | ¹ / ₂ | | ⁵ / ₈ | | ³ / ₄ | | | | | | |
| Anchor O.D. | $d_a (d_o)^7$ | in. (mm) | 0.250 (6.4) | 0.375 (9.5) | 0.500 (12.7) | | 0.625 (15.9) | | 0.750 (19.1) | | | | | | |
| Effective min. embedment ¹ | h_{ef} | in. (mm) | ¹ / ₂ (38) | 2 (51) | 2 (51) | ³ / ₄ (83) | ³ / ₈ (79) | 4 (102) | | ³ / ₄ (95) | 5 (127) | | | | |
| Min. member thickness | h_{min} | in. (mm) | 4 (102) | 4 (102) | 5 (127) | 4 (102) | 6 (152) | 6 (152) | 8 (203) | 5 (127) | 6 (152) | 8 (203) | 6 (152) | 8 (203) | 8 (203) |
| Critical edge distance | c_{ac} | in. (mm) | ² / ₄ (70) | ⁴ / ₂ (114) | ³ / ₈ (98) | ⁴ / ₈ (124) | ³ / ₅ (92) | ⁶ / ₃ (171) | ⁵ / ₈ (143) | ⁷ / ₂ (191) | ⁹ / ₂ (241) | ⁷ / ₂ (191) | ⁹ / ₄ (248) | ⁷ / ₂ (191) | ⁹ / ₂ (241) |
| Min. edge distance | c_{min} | in. (mm) | ¹ / ₈ (35) | 2 (51) | ¹ / ₂ (38) | ² / ₈ (54) | 2 (51) | ¹ / ₅ (41) | ¹ / ₈ (41) | ² / ₄ (57) | ¹ / ₄ (44) | ¹ / ₄ (44) | ² / ₄ (70) | ² / ₅ (67) | ² / ₂ (64) |
| | for $s \geq$ | in. (mm) | ¹ / ₄ (44) | ² / ₈ (73) | ³ / ₂ (89) | ⁴ / ₈ (124) | ⁴ / ₃ (121) | ⁴ / ₄ (108) | 4 (102) | ⁵ / ₄ (133) | ⁴ / ₄ (121) | 4 (102) | ⁶ / ₈ (175) | ⁶ / ₂ (165) | ⁶ / ₃ (162) |
| Min. anchor spacing | s_{min} | in. (mm) | ¹ / ₄ (32) | ¹ / ₄ (44) | ¹ / ₄ (44) | ² / ₂ (64) | ² / ₄ (57) | 2 (51) | ¹ / ₈ (48) | ² / ₈ (60) | ² / ₈ (54) | ² / ₈ (54) | ³ / ₄ (95) | ³ / ₈ (86) | ³ / ₄ (83) |
| | for $c \geq$ | in. (mm) | ¹ / ₈ (41) | ² / ₈ (60) | ² / ₈ (60) | ² / ₅ (67) | ² / ₈ (60) | ² / ₄ (57) | 2 (51) | ³ / ₈ (79) | ² / ₈ (60) | ² / ₄ (57) | ³ / ₄ (95) | ³ / ₈ (86) | ³ / ₈ (86) |
| Min. hole depth in concrete | h_{hole} | in. (mm) | 2 (51) | ² / ₈ (67) | ² / ₈ (67) | 4 (102) | | ³ / ₈ (98) | ⁴ / ₄ (121) | | 4 ¹ / ₂ (114) | | 5 ³ / ₄ (146) | | |
| Min. specified yield strength | f_{ya} | psi (N/mm ²) | 84,800 (585) | 84,800 (585) | 84,800 (585) | | 84,800 (585) | | 84,800 (585) | | | 84,800 (585) | | | |
| Min. specified ult. strength | f_{uta} | psi (N/mm ²) | 106,000 (731) | 106,000 (731) | 106,000 (731) | | 106,000 (731) | | 106,000 (731) | | | 106,000 (731) | | | |
| Effective tensile stress area | A_{se} | in ² (mm ²) | 0.02 (12.9) | 0.06 (38.7) | 0.11 (71.0) | | 0.17 (109.7) | | 0.24 (154.8) | | | 0.24 (154.8) | | | |
| Steel strength in tension | N_{sa} | lb (kN) | 2,120 (9.4) | 6,360 (28.3) | 11,660 (51.9) | | 18,020 (80.2) | | 25,440 (113.2) | | | 25,440 (113.2) | | | |
| Steel strength in shear | V_{sa} | lb (kN) | 1,640 (7.3) | 4,470 (19.9) | 6,635 (29.5) | 6,750 (30.0) | | 12,230 (54.4) | | 15,660 (69.7) | | 16,594 (73.8) | | 16,594 (73.8) | |
| Pullout strength uncracked concrete ² | $N_{p,uncr}$ | lb (kN) | 1,575 (7.0) | NA | NA | 6,800 (30.2) | | NA | | NA | | 10,585 (47.1) | | 10,585 (47.1) | |
| Anchor category ³ | 1,2 or 3 | - | 1 | | | | | | | | | | | | |
| Effectiveness factor k_{uncr} uncracked concrete ⁴ | k_{uncr} | - | 24 | | | | | | | | | | | | |
| Modification factor for uncracked concrete | $\psi_{c,N}$ | - | 1.0 | | | | | | | | | | | | |
| Coefficient for pryout | k_{cp} | - | 1.0 | | | | | | 2.0 | | | | | | |
| Installation torque | T_{inst} | ft*lb (Nm) | 4 (5) | 20 (27) | 40 (54) | | 60 (81) | | 110 (149) | | | 110 (149) | | | |
| Axial stiffness in service load range | β_{uncr} | (lb/in) | 116,150 | 162,850 | 203,500 | 191,100 | | 222,150 | 170,700 | 207,400 | | 164,000 | | 164,000 | |
| COV β_{uncr} | | % | 60 | 42 | 29 | 29 | 25 | 21 | 19 | 19 | | 24 | | 24 | |
| Strength reduction factor ϕ for tension, steel failure modes ⁵ | | | 0.75 | | | | | | | | | | | | |
| Strength reduction factor ϕ for shear, steel failure modes ⁵ | | | 0.65 | | | | | | | | | | | | |
| Strength reduction factor ϕ for tension, concrete failure modes, Condition B ⁵ | | | 0.65 | | | | | | | | | | | | |
| Strength reduction factor ϕ for shear, concrete failure modes, Condition B ⁵ | | | 0.70 | | | | | | | | | | | | |

For **SI**: 1 inch = 25.4 mm, 1lb = 4.45 N, 1 psi = 0.006895 MPa. For **pound-in** units: 1 mm = 0.03937 inches.

¹See Fig. 2

²See Section 4.1.4 of this report, NA (not applicable) denotes that this value does not govern for design.

³See ACI 318-11 D.4.3.

⁴See ACI 318-11 D.5.2.2.

⁵The carbon Steel KB3 is a ductile steel element as defined by ACI 318 D.1.

⁶For use with the load combinations of ACI 318 Section 9.2 or IBC Section 1605.2. Condition B applies where supplementary reinforcement in conformance with ACI 318-11 D.4.3 is not provided, or where pull-out or pry out strength governs. For cases where the presence of supplementary reinforcement can be verified, the strength reduction factors associated with Condition A may be used.

⁷The notation in parenthesis is for the 2006 IBC.

TABLE 4—DESIGN INFORMATION STAINLESS STEEL KB3

| DESIGN INFORMATION | Symbol | Units | Nominal anchor diameter | | | | | | | | | | | | | | | | | | |
|--|----------------|---------------------------------------|-------------------------|------------------|---------------|------------------|----------------|------------------|----------------|------------------|----------------|-------------------|-----------------|------------------|----------------|-------------------|----------------|------------------|-------------|-------------------|--|
| | | | 1/4 | 3/8 | | 1/2 | | 5/8 | | 3/4 | | 1 | | | | | | | | | |
| Anchor O.D. | $d_a (d_o)^7$ | in. (mm) | 0.25 (6.4) | 0.375 (9.5) | | 0.500 (12.7) | | 0.625 (15.9) | | 0.750 (19.1) | | 1.000 (25.4) | | | | | | | | | |
| Effective min. embedment ¹ | h_{ef} | in. (mm) | 1 1/2 (38) | 2 (51) | | 2 (51) | | 3 1/4 (83) | | 3 1/8 (79) | | 4 (102) | | 3 3/4 (95) | | 5 (127) | | 4 (102) | | 5 3/4 (146) | |
| Minimum member thickness | h_{min} | in. (mm) | 4 (102) | 4 (102) | 5 (127) | 4 (102) | 6 (152) | 6 (152) | 8 (203) | 5 (127) | 6 (152) | 8 (203) | 6 (152) | 8 (203) | 8 (203) | 8 (203) | 8 (203) | 8 (203) | 10 (254) | | |
| Critical edge distance | c_{ac} | in. (mm) | 3 (76) | 4 3/8 (111) | 3 7/8 (98) | 4 7/8 (124) | 4 (102) | 6 3/4 (171) | 5 3/4 (146) | 7 3/8 (187) | 9 1/2 (241) | 7 1/2 (191) | 10 1/2 (267) | 9 1/4 (235) | 9 3/4 (248) | 10 (254) | 10 (254) | 11 (279) | | | |
| Min. edge distance | c_{min} | in. (mm) | 1 3/8 (35) | 2 (51) | 1 5/8 (41) | 2 1/2 (64) | 1 7/8 (48) | 1 5/8 (41) | 1 5/8 (41) | 3 1/4 (83) | 2 1/2 (64) | 2 1/2 (64) | 3 1/4 (83) | 3 (76) | 2 7/8 (73) | 3 1/2 (89) | 3 1/2 (89) | 3 (76) | | | |
| | for $s \geq$ | in. (mm) | 1 3/4 (44) | 4 (102) | 3 5/8 (92) | 5 (127) | 4 5/8 (117) | 4 1/2 (114) | 4 1/4 (108) | 5 5/8 (143) | 5 1/4 (133) | 5 (127) | 7 (178) | 6 7/8 (175) | 6 5/8 (168) | 6 3/4 (172) | 6 3/4 (172) | | | | |
| Min. anchor spacing | s_{min} | in. (mm) | 1 1/4 (32) | 2 (51) | 1 3/4 (44) | 2 1/2 (64) | 2 1/4 (57) | 2 1/8 (54) | 1 7/8 (48) | 3 1/8 (79) | 2 1/8 (54) | 2 1/8 (54) | 4 (102) | 3 1/2 (89) | 3 1/2 (89) | 5 (127) | 4 3/4 (121) | | | | |
| | for $c \geq$ | in. (mm) | 1 5/8 (41) | 3 1/4 (83) | 2 1/2 (64) | 2 7/8 (73) | 2 3/8 (60) | 2 3/8 (60) | 2 1/8 (54) | 3 7/8 (98) | 3 (76) | 2 3/4 (70) | 4 1/8 (105) | 3 3/4 (95) | 3 3/4 (95) | 4 1/4 (108) | 3 3/4 (95) | | | | |
| Min. hole depth in concrete | h_{hole} | in. (mm) | 2 (51) | 2 5/8 (67) | | 2 5/8 (67) | | 4 (102) | | 3 7/8 (98) | | 4 3/4 (121) | | 4 1/2 (114) | | 5 3/4 (146) | | 5 (127) | | 6 3/4 (171) | |
| Min. specified yield strength | f_{ya} | psi (N/mm ²) | 92,000 (634) | 92,000 (634) | | 92,000 (634) | | 92,000 (634) | | 92,000 (634) | | 76,000 (524) | | 76,000 (524) | | | | | | | |
| Min. specified ult. strength | f_{uta} | psi (N/mm ²) | 115,000 (793) | 115,000 (793) | | 115,000 (793) | | 115,000 (793) | | 115,000 (793) | | 90,000 (621) | | 90,000 (621) | | | | | | | |
| Effective tensile stress area | A_{se} | in ² (mm ²) | 0.02 (12.9) | 0.06 (38.7) | | 0.11 (71.0) | | 0.17 (109.7) | | 0.24 (154.8) | | 0.47 (303.2) | | | | | | | | | |
| Steel strength in tension | N_{sa} | lb (kN) | 2,300 (10.2) | 6,900 (30.7) | | 12,650 (56.3) | | 19,550 (87.0) | | 21,600 (96.1) | | 42,311 (188.2) | | | | | | | | | |
| Steel strength in shear | V_{sa} | lb (kN) | 1,680 (7.5) | 4,980 (22.2) | | 4,195 (18.7) | | 6,940 (30.9) | | 8,955 (39.8) | | 14,300 (63.6) | | 11,900 (52.9) | | 23,545 (104.7) | | 12,510 (55.6) | | 27,345 (121.6) | |
| Pullout strength uncracked concrete ² | $N_{p,uncr}$ | lb (kN) | 1,325 (5.9) | 2,965 (13.2) | | 3,310 (14.7) | | 6,030 (26.8) | | 6,230 (27.7) | | 7,830 (34.8) | | 8,555 (38.1) | | 10,830 (48.2) | | NA | | 15,550 (69.2) | |
| Anchor category ³ | 1,2 or 3 | - | 2 | | 1 | | | | | | | | | | | | | | | | |
| Effectiveness factor for uncracked concrete ⁴ | k_{uncr} | - | 24 | | | | | | | | | | | | | | | | | | |
| Modification factor for uncracked concrete | $\psi_{c,N}$ | - | 1.0 | | | | | | | | | | | | | | | | | | |
| Coefficient for pryout | k_{cp} | - | 1.0 | | | | | | 2.0 | | | | | | | | | | | | |
| Installation torque | T_{inst} | ft*lb (Nm) | 4 (5) | 20 (27) | | 40 (54) | | 60 (81) | | 110 (149) | | 150 (203) | | | | | | | | | |
| Axial stiffness in service load range | β_{uncr} | (lb/in) | 57,400 | 158,300 | | 154,150 | | 77,625 | | 227,600 | | 189,200 | | 275,600 | | 187,000 | | 126,400 | | 174,800 | |
| COV β_{uncr} | | % | 40 | 34 | | 36 | | 17 | | 31 | | 22 | | 35 | | 21 | | 38 | | 22 | |
| Strength reduction factor ϕ for tension, steel failure modes ⁵ | | | 0.75 | | | | | | | | | | | | | | | | | | |
| Strength reduction factor ϕ for shear, steel failure modes ⁵ | | | 0.65 | | | | | | | | | | | | | | | | | | |
| Strength reduction factor ϕ for tension, concrete failure modes, Condition B ⁶ | | | 0.55 | | 0.65 | | | | | | | | | | | | | | | | |
| Strength reduction factor ϕ for shear, concrete failure modes, Condition B ⁶ | | | 0.70 | | | | | | | | | | | | | | | | | | |

For **SI**: 1 inch = 25.4 mm, 1lb = 4.45 N, 1 psi = 0.006895 MPa. For **pound-in** units: 1 mm = 0.03937 inches.

¹See Fig. 2

²See Section 4.1.3 of this report, NA (not applicable) denotes that this value does not govern for design.

³See ACI 318-11 Section D.4.3.

⁴See ACI 318-11 Section D.5.2.2.

⁵The Stainless Steel KB3 is a ductile steel element as defined by ACI 318 D.1.

⁶For use with the load combinations of ACI 318 Section 9.2 or IBC Section 1605.2.1. Condition B applies where supplementary reinforcement in conformance with ACI 318-11 Section D.4.3 is not provided, or where pull-out or pry out strength governs. For cases where the presence of supplementary reinforcement can be verified, the strength reduction factors associated with Condition A may be used.

⁷The notation in parenthesis is for the 2006 IBC.

TABLE 5—DESIGN INFORMATION HOT-DIP GALVANIZED KB3

| DESIGN INFORMATION | Symbol | Units | Nominal anchor diameter | | | | | | | | | |
|--|------------------------------|---------------------------------------|-------------------------|----------------|-----------------|------------------|------------------|-----------------|-------------------|----------------|----------------|------------------|
| | | | 1/2 | | | 5/8 | | | 3/4 | | | |
| Anchor O.D. | $d_a (d_o)^7$ | in. (mm) | 0.500 (12.7) | | | 0.625 (15.9) | | | 0.750 (19.1) | | | |
| Effective min. embedment ¹ | h_{ef} | in. (mm) | 2 (51) | | 3 1/4 (83) | | 3 1/8 (79) | 4 (102) | | 3 3/4 (95) | 5 (127) | |
| Min. member thickness | h_{min} | in. (mm) | 4 (102) | 6 (152) | 6 (152) | 8 (203) | 5 (127) | 6 (152) | 8 (203) | 6 (152) | 8 (203) | 8 (203) |
| Critical edge distance | c_{cr} | in. (mm) | 4 7/8 (124) | 3 5/8 (92) | 7 1/2 (191) | 5 3/4 (146) | 7 5/8 (194) | 9 1/2 (241) | 7 3/4 (197) | 9 3/4 (248) | 7 1/2 (191) | 9 1/2 (241) |
| Min. edge distance | c_{min} | in. (mm) | 3 1/4 (83) | 2 5/8 (67) | 2 (51) | | 2 1/4 (57) | 2 (51) | 1 7/8 (48) | 3 1/2 (89) | | 3 5/8 (92) |
| | for $s \geq$ | in. (mm) | 6 1/4 (159) | 5 1/2 (140) | 4 7/8 (124) | | 5 1/4 (133) | 5 (127) | 4 3/4 (121) | 7 1/2 (191) | | 7 3/8 (187) |
| Min. anchor spacing | s_{min} | in. (mm) | 3 1/8 (79) | 2 3/4 (70) | 2 3/8 (60) | 2 1/8 (54) | 2 1/2 (64) | 2 1/8 (54) | 2 1/8 (54) | 4 (102) | | 3 7/8 (98) |
| | for $c \geq$ | in. (mm) | 3 3/4 (95) | 2 3/4 (70) | 2 5/8 (67) | 2 1/4 (57) | 3 1/2 (89) | 2 1/2 (64) | 2 1/4 (57) | 6 1/2 (165) | | 4 3/4 (121) |
| Min. hole depth in concrete | h_{hole} | in. (mm) | 2 5/8 (67) | | 4 (102) | | 3 7/8 (98) | 4 3/4 (121) | | 4 1/2 (114) | | 5 3/4 (146) |
| Min. specified yield strength | f_{ya} | psi (N/mm ²) | 84,800 (585) | | | 84,800 (585) | | | 84,800 (585) | | | |
| Min. specified ult. strength | f_{uta} | psi (N/mm ²) | 106,000 (731) | | | 106,000 (731) | | | 106,000 (731) | | | |
| Effective tensile stress area | A_{se} | in ² (mm ²) | 0.11 (71.0) | | | 0.17 (109.7) | | | 0.24 (154.8) | | | |
| Steel strength in tension | N_{sa} | lb (kN) | 11,660 (51.9) | | | 18,020 (80.2) | | | 25,440 (113.2) | | | |
| Steel strength in shear | V_{sa} | lb (kN) | 4,500 (20.0) | | 5,870 (26.1) | | 11,635 (51.8) | | 17,000 (75.6) | | | |
| Pullout strength uncracked concrete ² | $N_{p,uncr}$ | lb (kN) | NA | | 6,540 (29.1) | | 6,465 (28.8) | 9,017 (40.1) | | NA | | 10,175 (45.3) |
| | Anchor category ⁵ | 1,2 or 3 | - | | | | | | | | | 1 |
| Effectiveness factor k_{uncr} uncracked concrete ⁴ | k_{uncr} | - | - | | | | | | | | | 24 |
| Modification factor for uncracked concrete | $\psi_{c,N}$ | - | - | | | | | | | | | 1.0 |
| Coefficient for pryout | k_{cp} | - | 1.0 | | | 2.0 | | | | | | |
| Installation torque | T_{inst} | ft*lb (Nm) | 40 (54) | | | 60 (81) | | | 110 (149) | | | |
| Axial stiffness in service load range | β_{uncr} | (Nm) | 177,000 | | 332,850 | | 347,750 | 190,130 | | 364,725 | 314,650 | |
| COV β_{uncr} | | % | 42 | | 18 | | 37 | 36 | | 27 | 21 | |
| Strength reduction factor ϕ for tension, steel failure modes ⁵ | | | | | | | | | | | | 0.75 |
| Strength reduction factor ϕ for shear, steel failure modes ⁵ | | | | | | | | | | | | 0.65 |
| Strength reduction factor ϕ for tension, concrete failure modes, Condition B ⁸ | | | | | | | | | | | | 0.65 |
| Strength reduction factor ϕ for shear, concrete failure modes, Condition B ⁸ | | | | | | | | | | | | 0.70 |

For **SI**: 1 inch = 25.4 mm, 1lbf = 4.45 N, 1 psi = 0.006895 MPa. For **pound-in** units: 1 mm = 0.03937 inches.

¹See Fig. 2

²See Section 4.1.4 of this report, NA (not applicable) denotes that this value does not govern for design.

³See ACI 318-11 Section D.4.3.

⁴See ACI 318-11 Section D.5.2.2.

⁵The carbon Steel KB3 is a ductile steel element as defined by ACI 318 D.1.

⁶For use with the load combinations of ACI 318 Section 9.2 or IBC Section 1605.2.1. Condition B applies where supplementary reinforcement in conformance with ACI 318-11 Section D.4.3 is not provided, or where pull-out or pry out strength governs. For cases where the presence of supplementary reinforcement can be verified, the strength reduction factors associated with Condition A may be used.

⁷The notation in parenthesis is for the 2006 IBC.

TABLE 6—EXAMPLE ALLOWABLE STRESS DESIGN VALUES FOR ILLUSTRATIVE PURPOSES

| Nominal Anchor diameter (in.) | Embedment depth (in.) | Allowable tension (lbf) | | |
|-------------------------------|-----------------------|-------------------------|-----------------|-------|
| | | $f_c=2500$ psi | | |
| | | Carbon Steel | Stainless Steel | HDG |
| 1/4 | 1 1/2 | 692 | 492 | |
| 3/8 | 2 | 1,491 | 1,370 | |
| 1/2 | 2 | 1,491 | 1,537 | 1,490 |
| | 3 1/4 | 3,026 | 2,784 | 2,870 |
| 5/8 | 3 1/8 | 2,911 | 2,893 | 2,840 |
| | 4 | 4,216 | 3,439 | 4,120 |
| 3/4 | 3 3/4 | 3,827 | 3,757 | 3,830 |
| | 5 | 5,892 | 4,756 | 4,470 |
| 1 | 4 | | 4,216 | |
| | 5 3/4 | | 6,829 | |

For SI: 1 lbf = 4.45 N, 1 psi = 0.00689 MPa 1 psi = 0.00689 MPa. 1 inch = 25.4 mm.

¹Single anchors with static tension load only.

²Concrete determined to remain uncracked for the life of the anchorage.

³Load combinations from ACI 318 Section 9.2 (no seismic loading).

⁴30% dead load and 70% live load, controlling load combination 1.2D + 1.6 L.

⁵Calculation of the weighted average for $\alpha = 0.3 \cdot 1.2 + 0.7 \cdot 1.6 = 1.48$

⁶ $f_c = 2,500$ psi (normal weight concrete)

⁷ $C_{a1} = C_{a2} \geq C_{ac}$

⁸ $h \geq h_{min}$

⁹Values are for Condition B (Supplementary reinforcement in accordance with ACI 318-11 D.4.3 is not provided).

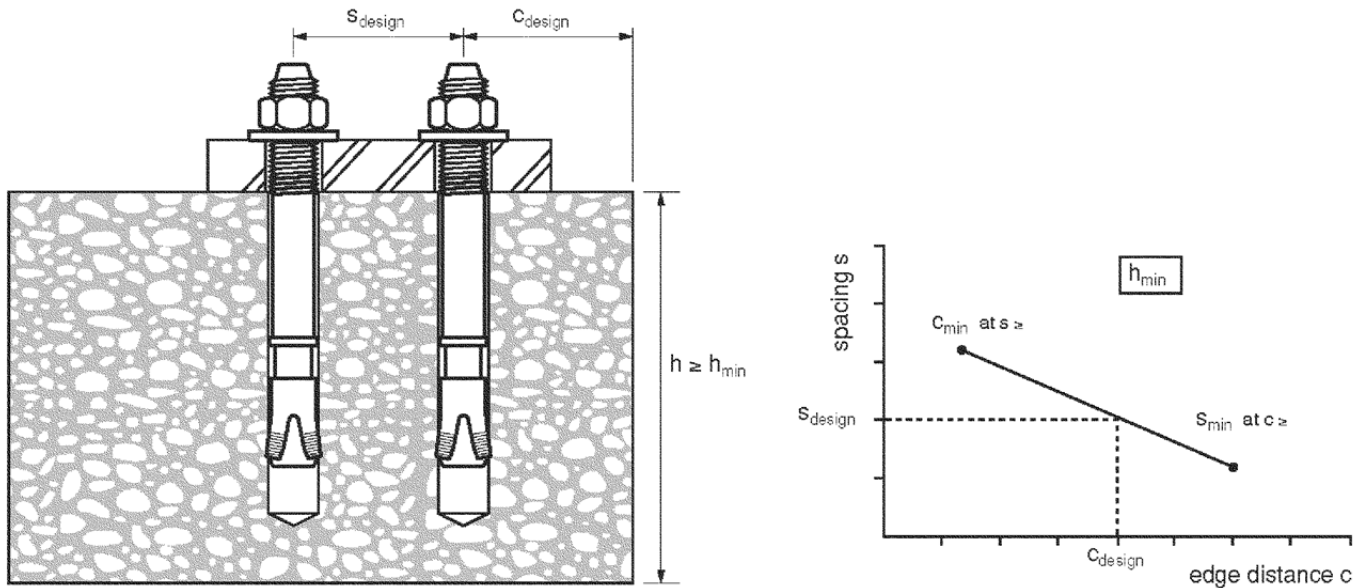


FIGURE 3—INTERPOLATION OF MINIMUM EDGE DISTANCE AND ANCHOR SPACING (SEE TABLES 3, 4 AND 5)

Given:
 2 – 1/2-in. KB3 carbon steel anchors under static tension load as shown.
 $h_{ef} = 3.25$ in.
 Normal wt. concrete, $f'_c = 3,000$ psi
 No supplementary reinforcing.
 Assume uncracked concrete.
 Condition B per ACI 318-11 D.4.3(c)

Calculate the allowable tension load for this configuration.

| Calculation per ACI 318-11 Appendix D and this report. | Code Ref. | Report Ref. |
|--|-----------|---------------------|
| Step 1. Calculate steel strength of anchor in tension $N_{sa} = nA_{se}f_{uta} = 2 \times 0.11 \times 106,000 = 23,320$ lb | D.5.1.2 | Table 3 |
| Step 2. Calculate steel capacity $\phi N_{sa} = 0.75 \times 23,320 = 17,490$ lb | D.4.3 (a) | § 4.1.2 Table 3 |
| Step 3. Calculate concrete breakout strength of anchor in tension $N_{cbg} = \frac{A_{Nc}}{A_{Nco}} \psi_{ec,N} \psi_{ed,N} \psi_{c,N} \psi_{cp,N} N_b$ | D.5.2.1 | § 4.1.3 |
| Step 3a. Verify minimum member thickness, spacing and edge distance: $h_{min} = 6$ in. ≤ 6 in. \therefore OK From Table 3; $c_{a,min} = 1.625$ -in. when $s \geq 4.25$ -in. \therefore OK | D.8 | § 4.1.10 Table 3 |
| Step 3b. Check $1.5 \cdot h_{ef} = 1.5 \cdot (3.25) = 4.88$ in. $> c$ $3.0 \cdot h_{ef} = 3.0 \cdot (3.25) = 9.75$ in. $> s$ | D.5.2.1 | Table 3 |
| Step 3c. Calculate A_{Nco} and A_{Nc} for the anchorage: $A_{Nco} = 9h_{ef}^2 = 9 \times (3.25)^2 = 95.1$ in ² $A_{Nc} = (1.5h_{ef} + c)(3h_{ef} + s) = [1.5 \times (3.25) + 4] \times [3 \times (3.25) + 6] = 139.8$ in ² $< 2A_{Nco} \therefore$ OK | D.5.2.1 | Table 3 |
| Step 3d. Calculate $\psi_{ec,N}$: $\theta_N = 0$: $\psi_{ec,N} = 1.0$ | D.5.2.4 | - |
| Step 3e. Calculate N_b : $N_b = k_{uncr} \lambda_a \sqrt{f'_c} h_{ef}^{1.5}$ $N_b = 24 \times 1.0 \times \sqrt{3000} \times 3.25^{1.5} = 7,702$ lb | D.5.2.2 | Table 3 |
| Step 3f. Calculate modification factor for edge distance: $\psi_{ed,N} = 0.7 + 0.3 \frac{4}{1.5(3.25)} = 0.95$ | D.5.2.5 | Table 3 |
| Step 3g. Calculate modification factor for splitting: $\psi_{cp,N} = \frac{\max\{c_{a,min} : 1.5xh_{ef}\}}{c_{ac}} = \frac{\max\{4 : 1.5 \times 3.25\}}{6.75} = 0.72$ | D.5.2.7 | § 4.1.9 Table 3 |
| Step 3h. Calculate N_{cbg} : $N_{cbg} = \frac{139.8}{95.1} \times 1.0 \times 0.95 \times 1.0 \times 0.72 \times 7,702 = 7,744$ lb | D.5.2.1 | § 4.1.3 Table 3 |
| Step 4. Check pullout strength: Per Table 3, $N_{p,uncr} = 2 \times 6890 \times \sqrt{\frac{3000}{2500}} = 15,095$ lb does not control | D.5.3.2 | § 4.1.4 Table 3 |
| Step 5. Controlling strength: $\phi N_{cbg} = 0.65 \times 7,744$ lb = 5,034 lb, controls | D.4.3 (c) | Table 3 |
| Step 6. Convert value to ASD: $T_{allow} = \frac{5,034}{1.48} = 3,401$ lb | - | § 4.2 |

FIGURE 5—DESIGN EXAMPLE